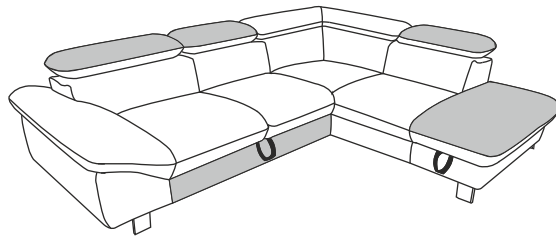
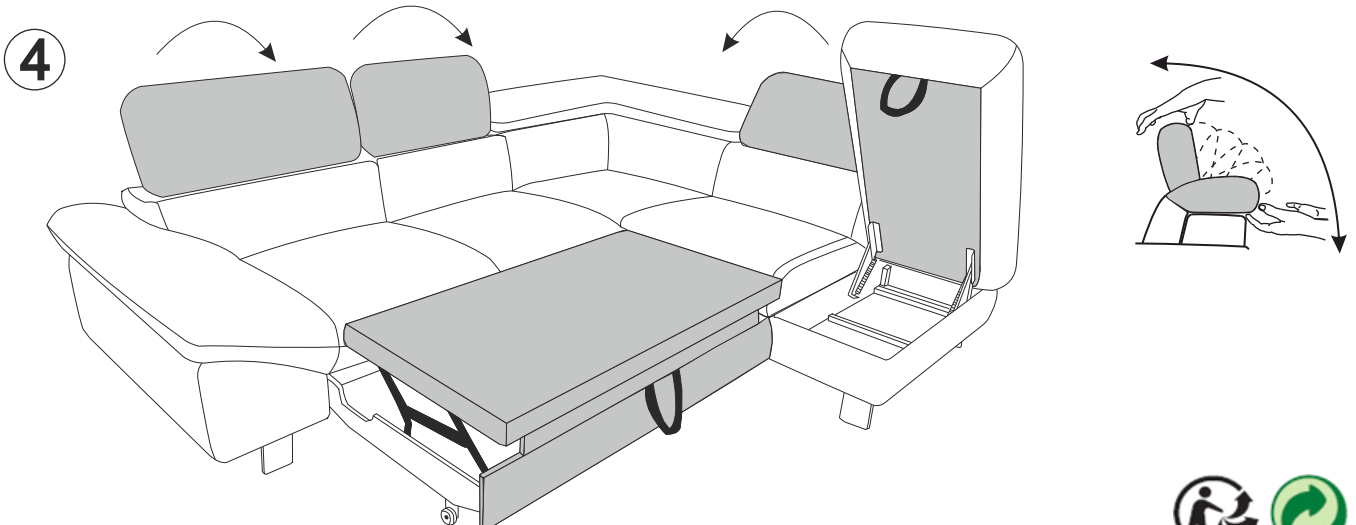
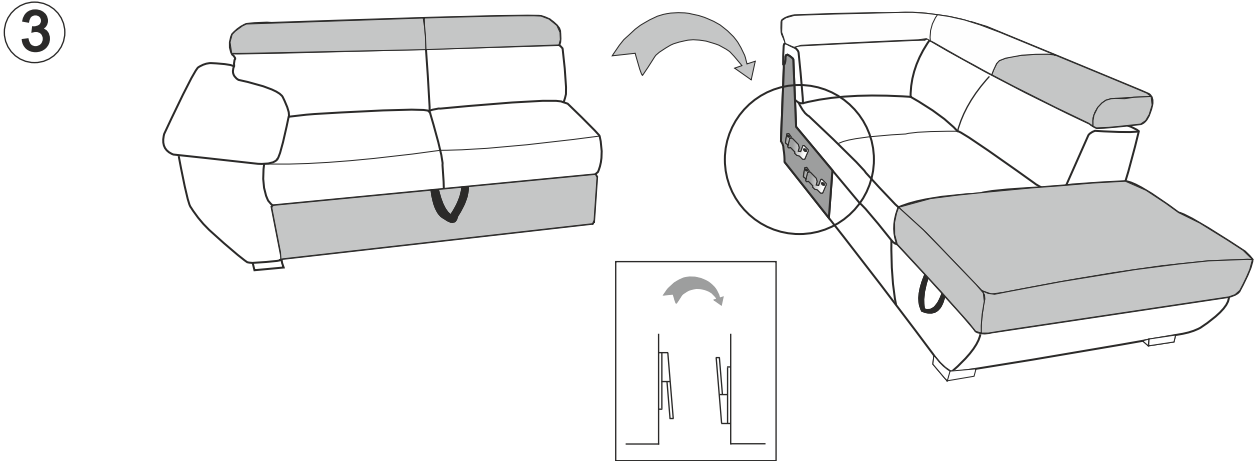
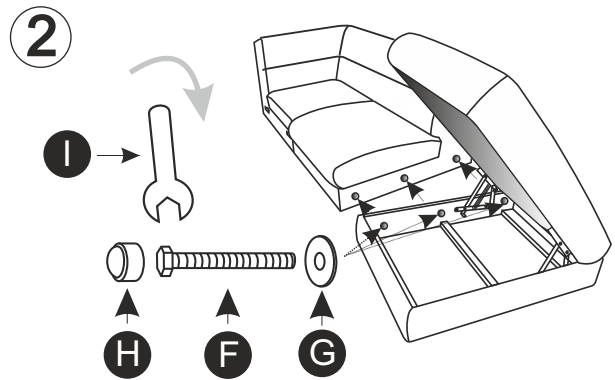
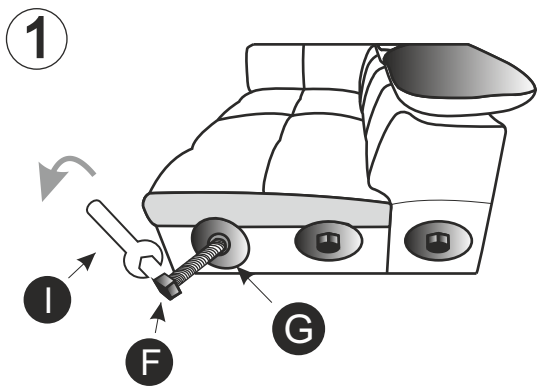
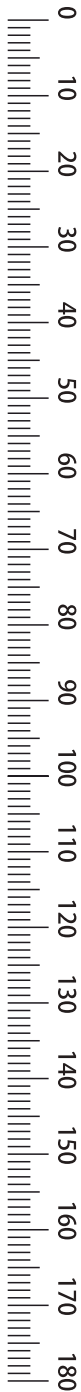
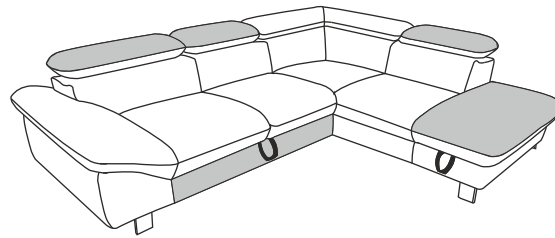
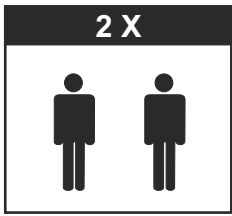


RIVER

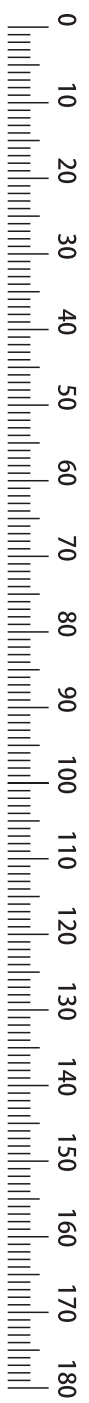


1/2





2/2



5

